

TO-220 35W Power Resistors

High power resistor, thick film with packaged TO220. applications are for switching power supply and snubbers circuit, automated machine controller, RF power amplifier, low energy pulse loading , UPS, voltage regulation , bleeder resistor.

Features :

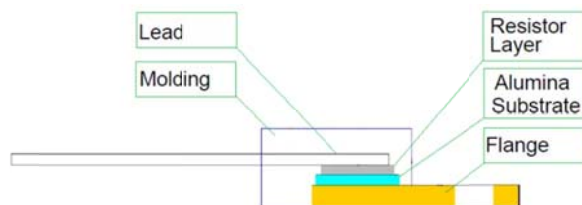
- 35 watts at 25°C case temperature heat sink mounted.
- TO-220 style power package.
- Single screw mounting to heat sink.
- Molded case for protection and easy to mount.
- Electrically isolated case.
- Non-Inductive design.
- Products with Pb-free Terminations and RoHS compliant.



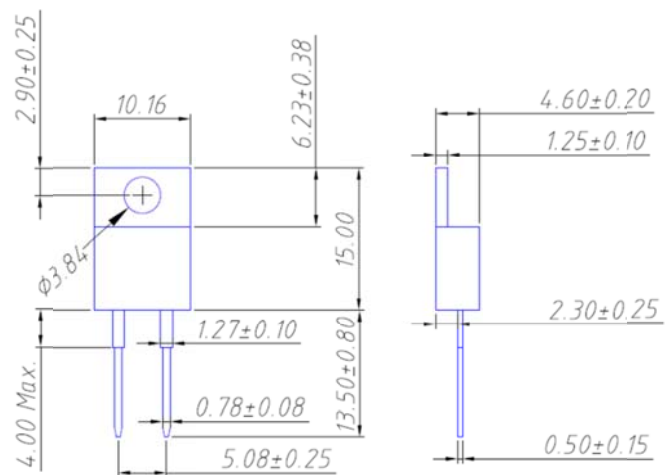
Applications :

- Switching Power Supplies
- Snubbers Circuits
- Automated Machine Controller
- RF Power Amplifiers
- Low Energy Pulse Loading
- UPS
- Voltage Regulation

Construction:



Dimensions : (Unit:mm)



Not marked tolerance: ±0.30mm

Order Information:

L-	KLS6-	RTP	35-	10R0	-J	0	D	G
----	-------	-----	-----	------	----	---	---	---

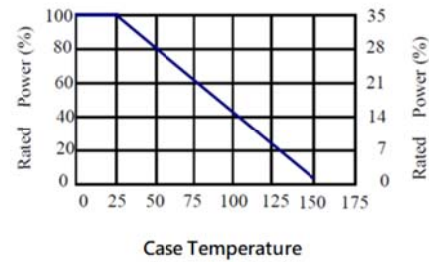
RoHS	Thick Film	Power (W)	Resistance (Ω)	Tolerance(%)	Case	Package	TCR (PPM/°C)
		35W	0R20	F ±1%	0	TO-220	0 No Specified
			1R00	J ±5%			E ±100
			10R0	K ±10%			F ±200
			100R				G ±300
			1KR0				

TO-220 35W Power Resistors

Electrical Characteristics Specifications

- Resistance Range: 0.2Ω – 130KΩ
- Operating Voltage: 350V Max.
- Dielectric Strength: 1800VAC
- Insulation Resistance: 10GΩ min.
- Operating Temperature: -55°C to +125°C

Derating Curve:



Environmental Characteristics

TEST ITEMS	SPECIFICATIONS	TEST METHODS(5729-2003)
Temperature Coefficient of Resistance (T.C.R.)	As Spec.	Referenced to 25°C, ΔR taken at +105°C
Short Time Overload	$\Delta R \leq \pm (0.5\%R + 0.05\Omega)$	1.5 times of rated wattage for 5 sec.
INSULATION RESISTANCE	10GΩ MIN	500V 5 sec.
Voltage Withstanding	NO EVIDENCE OF FLASHOVER MECHANICAL AMAGE , ARCING OF INSULATION BREAKDOWN	1800VAC 1 min.
Damp Heat with Load	$\Delta R \leq \pm (1\%R_0 + 0.1\Omega)$	40±2°C, 93±3% R.H., RCWV for 240 hrs
Solderability	90% min. coverage	245±5°C at 3 sec.
Vibration, High Frequency	$\Delta R \leq \pm (0.5\%R + 0.05\Omega)$	10~500Hz, 0.75mm for 6H
Terminal Strength	$\Delta R \leq \pm 0.2\%R$	20N 5 sec.
Load Life	$\Delta R \leq \pm (1\%R + 0.1\Omega)$	1,000 hours at rated power
Thermal Shock	$\Delta R \leq \pm (5\%R + 0.1\Omega)$	-55°C~175°C for 30 min. 5 cycles